

Ordering method

**SXYx - C - A1 - 105 - 65 - ZFL20 - 35 - 3L - RCX142 - E - R - P1 - CC - S**

Model - Cable - Combination - X-axis stroke - Y-axis stroke - ZR-axis - Z-axis stroke - Cable length - Controller - Usable for CE - Regenerative unit - Option I/O - Network - Battery

A1 to A4 15 to 105 15 to 65 15 to 35 3L, 5L, 10L

Note : For the details of the controller, please refer to the catalog of Yamaha Controllers.

Specification

	X-axis	Y-axis	Z-axis
Motor output	200W	100W	200W
Repeatability <sup>Note 1</sup>	+/-0.01mm	+/-0.01mm	+/-0.01mm
Drive system	Ball screw(Class C7)	Ball screw(Class C7)	Ball screw(Class C7)
Ball screw lead (Deceleration ratio)	20mm	20mm	20mm
Maximum speed <sup>Note 2</sup>	1200mm/sec	1200mm/sec	1200mm/sec
Moving range	150 to 1050mm	150 to 650mm	150 to 350mm
Robot cable length	Standard : 3.5m Option : 5m, 10m		
Controller	RCX142-R		

Maximum load capacity

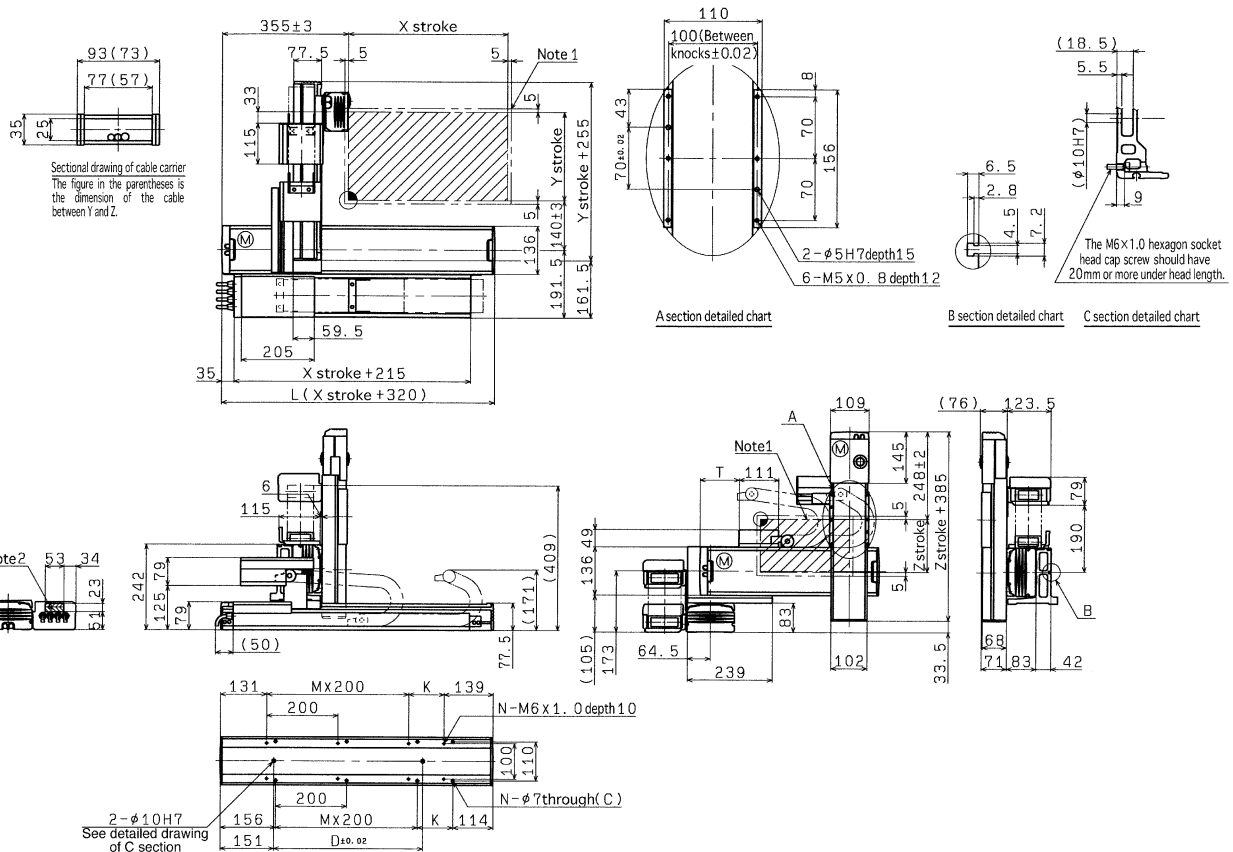
Y stroke	Z stroke		
	150mm	250mm	350mm
150mm	8kg	8kg	8kg
250mm	8kg	8kg	8kg
350mm	8kg	7kg	6kg
450mm	6kg	5kg	4kg
550mm	4kg	3kg	2kg
650mm	2kg	1kg	1kg

Note 1 : Repeatability for single oscillation.

Note 2 : When the X-axis stroke exceeds 750mm, resonance of a ball screw may occur depending on the operation range (dangerous speed). In such case, make an adjustment to reduce the speed using the corresponding parameter or program and referring to the table below for the maximum speed as a guide.

Axis	X-axis			
Stroke (mm)	750	850	950	1050
Maximum speed (mm/sec)	960	780	600	540
Speed setting	80%	65%	50%	45%

A1



X stroke	150	250	350	450	550	650	750	850	950	1050
L	470	570	670	770	870	970	1070	1170	1270	1370
K	200	100	200	100	200	100	200	100	200	100
D	240	240	420	420	600	600	780	960	960	1140
M	0	1	1	2	2	3	3	4	4	5
N	4	6	6	8	8	10	10	12	12	14

Y stroke	150	250	350	450	550	650
T	55	110	165	220	275	330

Z stroke	150	250	350